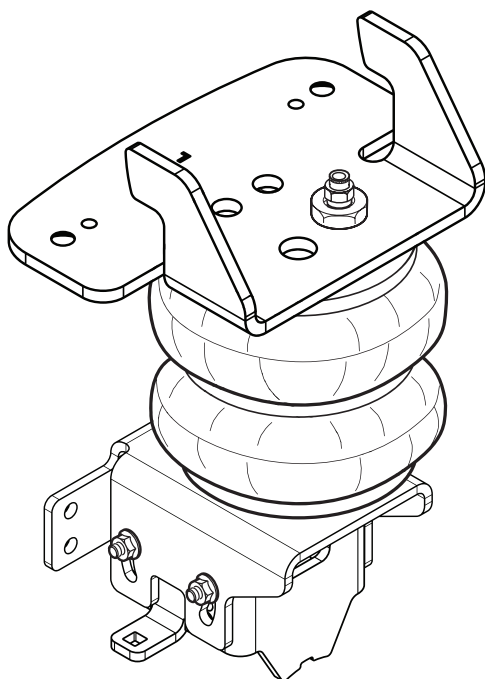


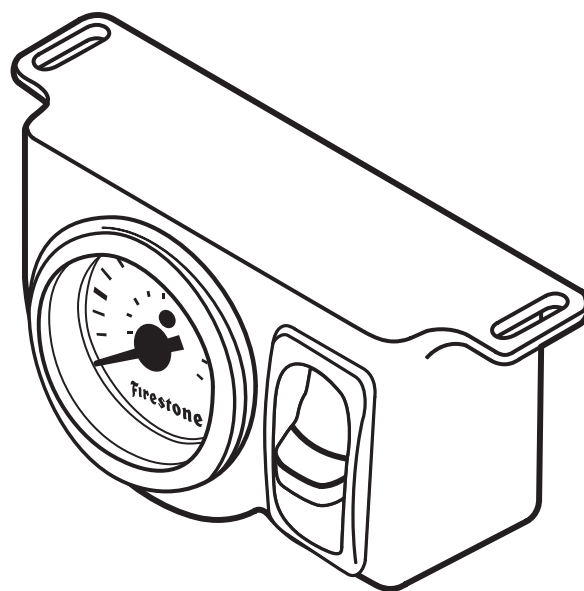


riderite.com

INSTALLATION INSTRUCTIONS



SECTION 1 - AIR SPRING



SECTION 2 - AIR ACCESSORY

Firestone

Firestone Industrial Products

! IMPORTANT

PLEASE DON'T HURT YOURSELF, YOUR KIT OR YOUR VEHICLE. TAKE A MINUTE TO READ THIS IMPORTANT INFORMATION.

DO NOT INSTALL IF THE TRUCK HAS BEEN LIFTED AND THE STOCK JOUNCE BUMPER SPACERS ARE NOT ON THE VEHICLE. *This kit is to be used on a **pickup truck only**, and **DOES NOT INCREASE YOUR VEHICLE'S MAXIMUM LOAD.***

SAFE INSTALLATION

Please take all safety precautions during installation. A hydraulic jack can fail, and if that happens, you can be seriously hurt, or worse, if you are relying on it to hold up the vehicle. If you use a hydraulic jack, secure jack stands in the appropriate locations and chock any tires still touching the ground.

Wear safety glasses or goggles. Your eyes may be lower than some parts and pieces, and you don't want to lose an eye.

Remove the possibility of any electrical issues by disconnecting the negative battery cable.

KIT CLEARANCE

There must be a minimum of 1/2" clearance around all installed components when the air springs are inflated and under a load. The air springs must flex and expand during operation, so the clearance keeps the kit from rubbing against parts of the vehicle.

VEHICLE GVWR

NEVER exceed the maximum load recommended by the vehicle manufacturer (GVWR). The GVWR can be found in your vehicle's owner's manual or on the data plate on the driver's side door. Consult your local dealership for additional GVWR specifications.

INFLATING THE AIR SPRINGS

When inflating air springs, add air pressure in small quantities, checking air pressure frequently. The air springs have much less air volume than a tire, so they inflate much more quickly.

PRESSURE TO LOAD

The air springs will support approximately 50 lbs. of load for each PSI of inflation pressure (per pair). For example, 50 PSI of inflation pressure will support a load of 2500 lbs. per pair of air springs.

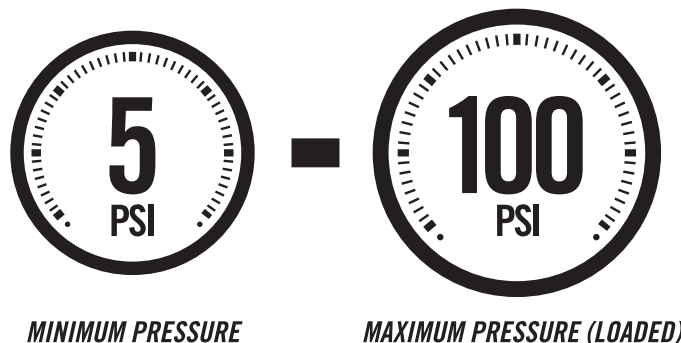
APPROPRIATE AIR PRESSURE

For best ride, use only enough air pressure in the air springs to level the vehicle when viewed from the side (front to rear). This will vary, depending on the load, location of the load, condition of the existing suspension, and personal preference.

OPTIONAL T-FITTING

This kit includes inflation valves and air line tube for each air spring, allowing you to compensate for unbalanced loads. If you prefer a single inflation valve system to provide equal pressure to both air springs, your dealer can supply the optional "T" fitting (Part # 3025 or WRI-760-3461 retail pack).


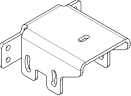
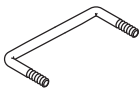
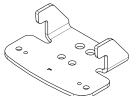
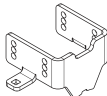

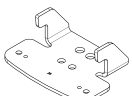
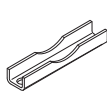

ONCE INSTALLED SUCCESSFULLY, FOLLOW THESE PRESSURE REQUIREMENTS FOR THE AIR SPRINGS:





PARTS

Compare the parts below to your kit. Assure you have all pieces, and organize them for an easier installation.



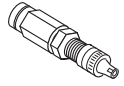





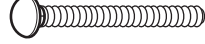

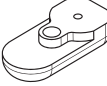

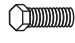

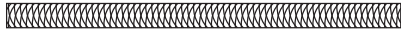
MAIN KIT CONTENTS

PT # 6397	 x2 AIR SPRING	PT # 5878	 x2 LOWER AIR SPRING BRACKET	PT # 3077	 x2 BAIL CLAMP
PT # 5872	 x1 UPPER LEFT BRACKET	PT # 5916	 x2 AXLE SUPPORT BRACKET	PT # 1004	 x1 HEAT SHIELD
PT # 5873	 x1 UPPER RIGHT BRACKET	PT # 5433	 x2 AXLE STRAP BRACKET	PT # 9415	 x1 AIR LINE TUBE (22 FEET)

A24-760-7560 INFLATION VALVE BRACKET KIT

PT # 9483	 x1 NO-DRILL INFLATION VALVE BRACKET	PT # 9488	 x2 LARGE NYLON TIE
-----------	---	-----------	---

A21-760-2605 HARDWARE PACK

PT # 3370	 x4 3/8" - 16 x 3/4" FLAT HEAD SCREW	PT # 3067	 x12 3/8" - 16 FLANGE LOCK NUT	PT # 3032	 x2 INFLATION VALVE AND VALVE CAP ASSEMBLY
PT # 3033	 x4 5/16" FLAT WASHER	PT # 3493	 x12 3/8" FLAT WASHER	PT # 3055	 x2 AIR FITTING
PT # 3069	 x2 3/8" - 16 x 3/4" FLANGE BOLT	PT # 3332	 x2 5/8" - 18 NYLON JAM NUT	PT # 3484	 x4 3/8" - 16 x 7" CARRIAGE BOLT
PT # 3505	 x2 10 - 24 x 2" THREADED ROD	PT # 3504	 x4 3/8" - 16 FRAME NUT	PT # 9036	 x6 RED NYLON TIE
PT # 3338	 x8 3/8" - 16 x 1" HEX HEAD BOLT	PT # 3488	 x4 3/8" - 16 NYLOCK NUTS	PT # 0899	 x2 THERMAL SLEEVE

CONTENTS AND OVERVIEW

PAGE **4** REMOVE JOUNCE BUMPER & INSTALL FRAME NUTS

PAGE **5** INSTALL UPPER BRACKET & ASSEMBLE LOWER BRACKET TO AIR SPRING

PAGE **6** MEASURE DISTANCE BETWEEN TOP OF JOUNCE BUMPER STOP AND AXLE TO LOWER BRACKET & ASSEMBLE LOWER BRACKET ASSEMBLY

PAGE **7** INSTALL LOWER BRACKET ASSEMBLY AND AIR SPRING

PAGE **8** SECURE LOWER BRACKET ASSEMBLY

PAGE **9** HEAT SHIELD & PASSENGER SIDE

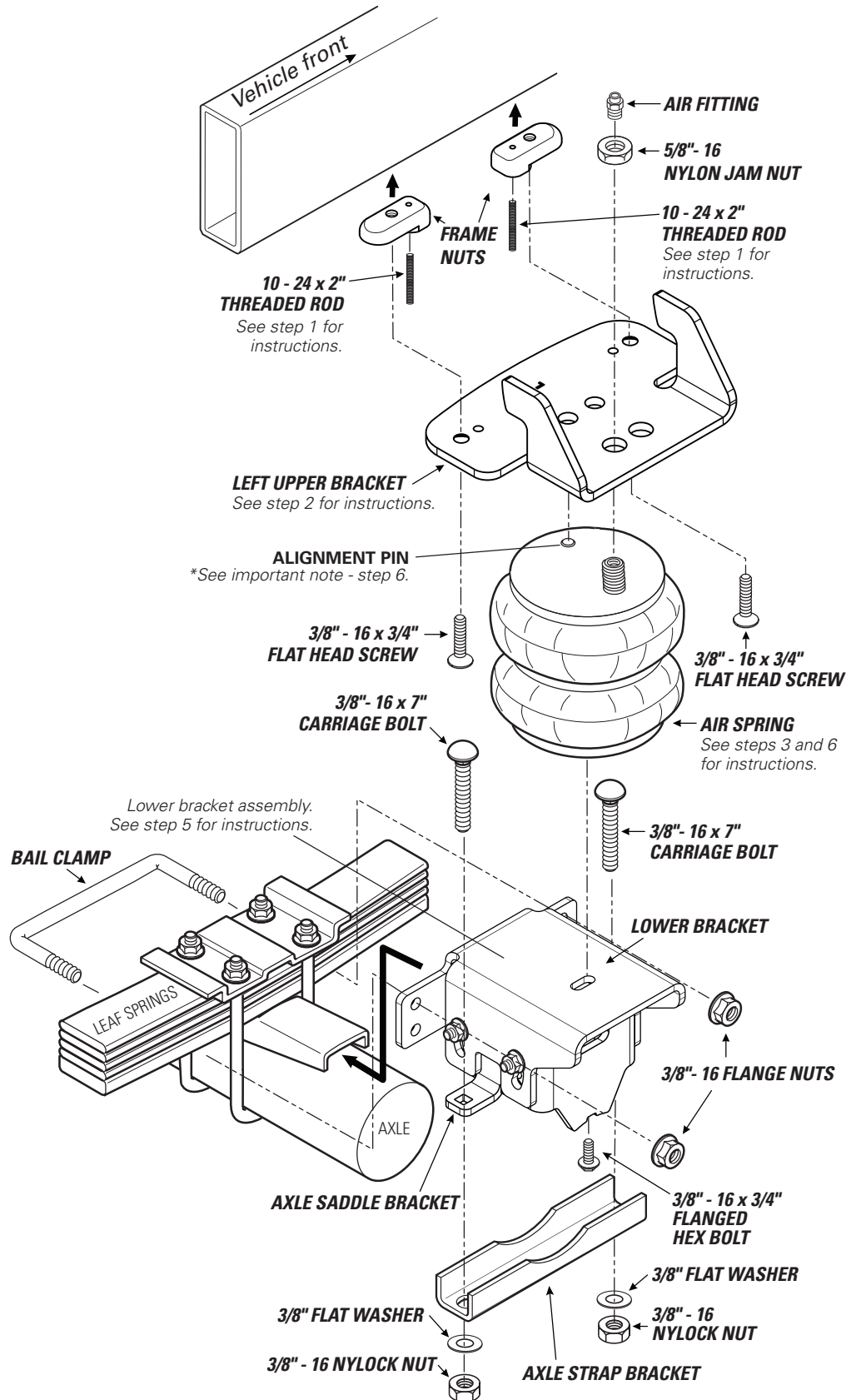
PAGE **10** AIR LINE TUBE & INFLATION VALVE INSTALLATION

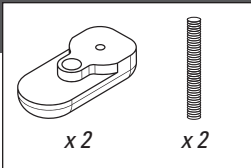
PAGE **11** INSTALL & ROUTE AIR LINE TUBE

PAGE **12** CHECKING THE SYSTEM

PAGE **13** FIXING AN AIR LEAK

PAGE **14** FINISHING THE INSTALLATION



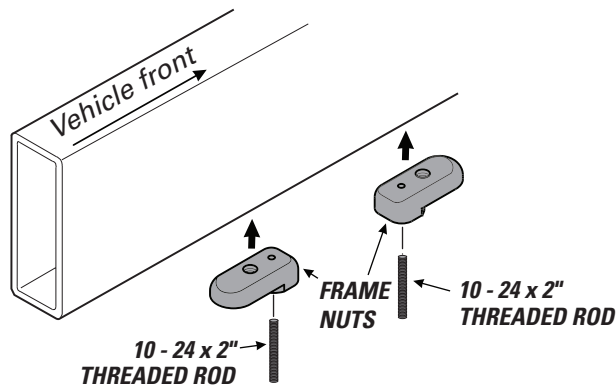


START THE INSTALLATION ON THE LEFT SIDE OF THE VEHICLE WHEN FACING FORWARD.

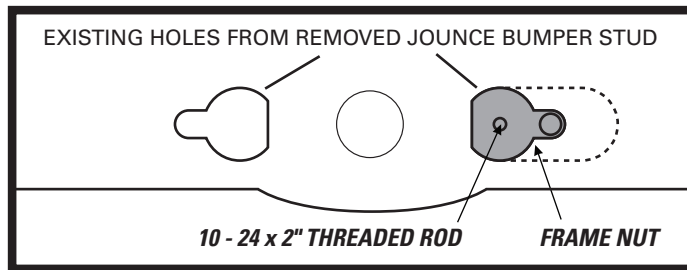
1 Remove the jounce bumper and the two studs holding it on. The two studs can be pried out with a flat head screw driver.

2 Thread the 10 - 24 x 2" threaded rods onto the frame nuts. These act as a grip to assist in installation.

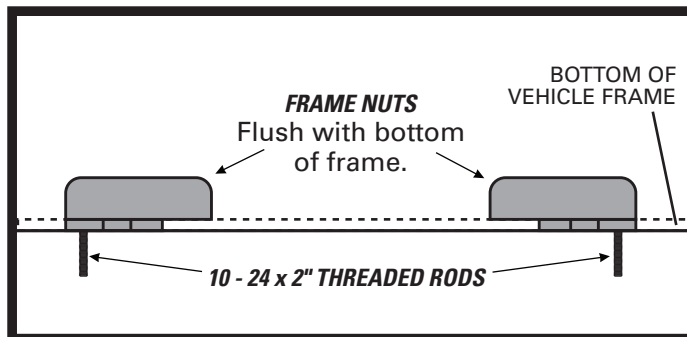
3 Insert the frame nuts into the hole in the frame where you removed the jounce bumper studs, seating the frame nuts so they are flush with the vehicle frame.



VIEW FROM BELOW



VIEW FROM SIDE



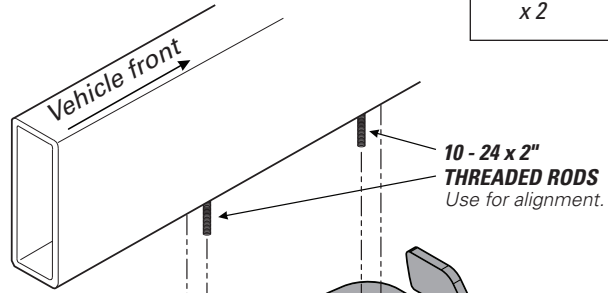
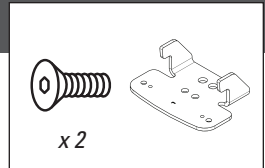
2

INSTALL UPPER BRACKET

1 Using the threaded rods as guides, slide the upper bracket into place, secure against the bottom of the vehicle frame.

2 Fasten upper bracket to the frame using the flat head screws, as shown.

3 Remove the threaded rods and save them for installation on the other side of the vehicle.



3/8" - 16 x 3/4"
FLAT HEAD SCREW
Tighten to 15-20 ft lbs.

3/8" - 16 x 3/4"
FLAT HEAD SCREW
Tighten to 15-20 ft lbs.

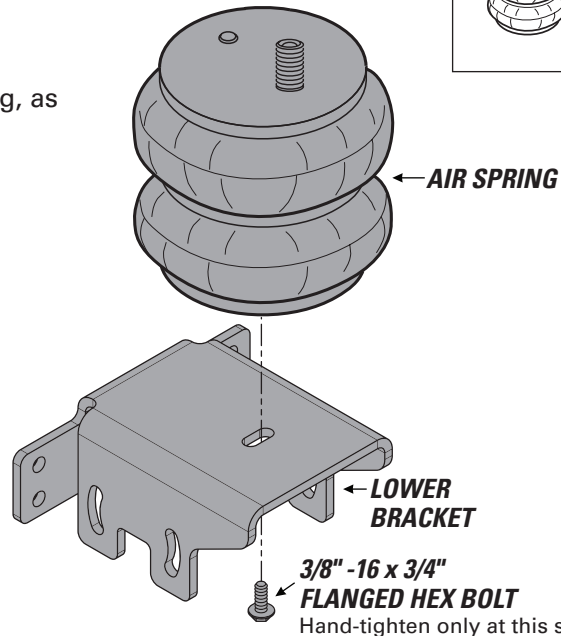
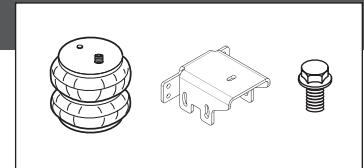


REMOVE THREADED RODS AFTER SECURING THE UPPER BRACKET. FAILURE TO DO SO COULD CAUSE THEM TO PUNCTURE THE AIR SPRING, RESULTING IN AN AIR SPRING FAILURE THAT IS **NOT WARRANTABLE**.

3

ASSEMBLE LOWER BRACKET TO AIR SPRING

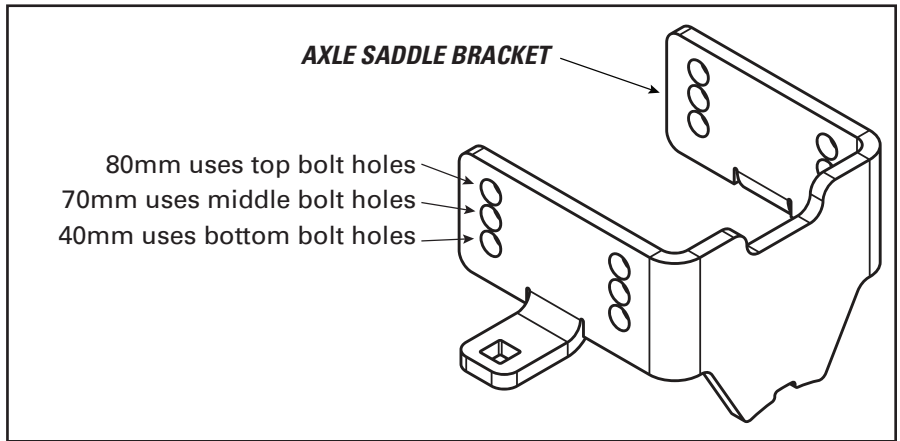
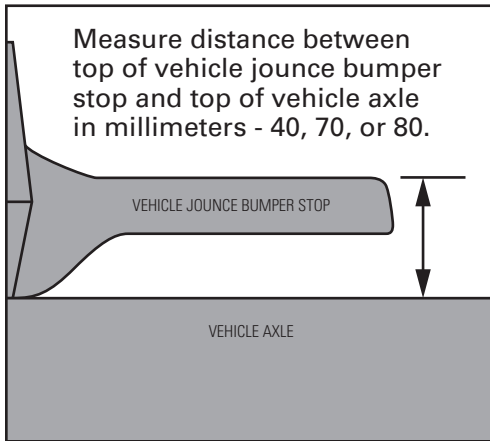
Attach the lower bracket to the air spring, as shown. **Hand-tighten only at this point.**



MEASURE DISTANCE BETWEEN TOP OF JOUNCE BUMPER STOP AND AXLE

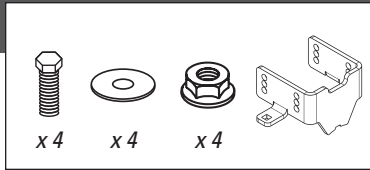
4

Take the measurement shown below and note for step 5.



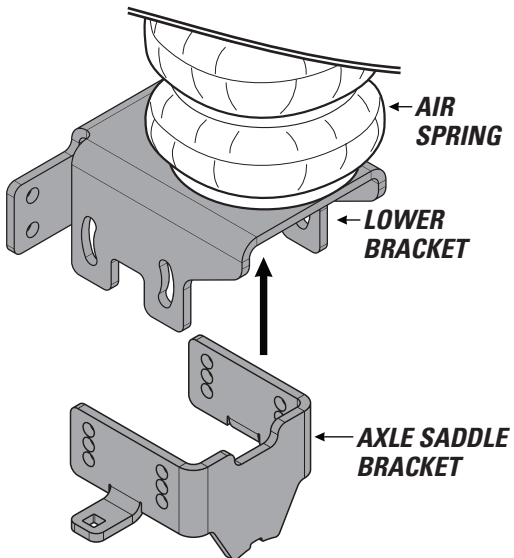
ASSEMBLE LOWER BRACKET ASSEMBLY

5

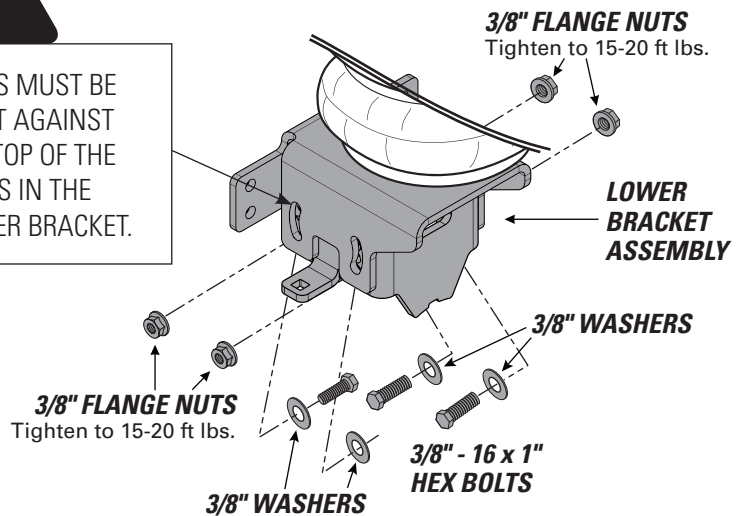


1 Using the holes selected in step 4, assemble the lower bracket and axle saddle bracket.

2 Assure that the bolts are tight against the top of the slots in the lower bracket. Fully-tighten all fasteners.



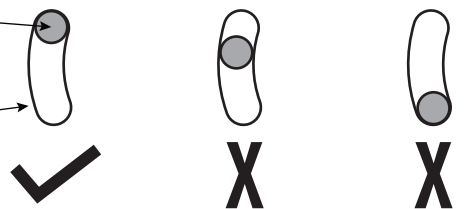
BOLTS MUST BE TIGHT AGAINST THE TOP OF THE SLOTS IN THE LOWER BRACKET.



HEX BOLT ALIGNMENT

3/8" - 16 x 1" HEX BOLT
Align all 4 bolts to top of slot in lower bracket.

LOWER BRACKET SLOTS



6

INSTALL LOWER BRACKET ASSEMBLY & AIR SPRING



1 Fit the assembly into place. Assure the lower bracket tabs are tight against the vehicle leaf springs.



INSTALLING THE RIGHT SIDE? REMEMBER TO INSTALL THE HEAT SHIELD IN STEP 8 FIRST!

2 Rotate the air spring until the combo stud fits in the rear alignment hole in the upper bracket and the air spring alignment pin is fully-seated into the front alignment hole.

3 Fully tighten the top of the air spring to the upper bracket.

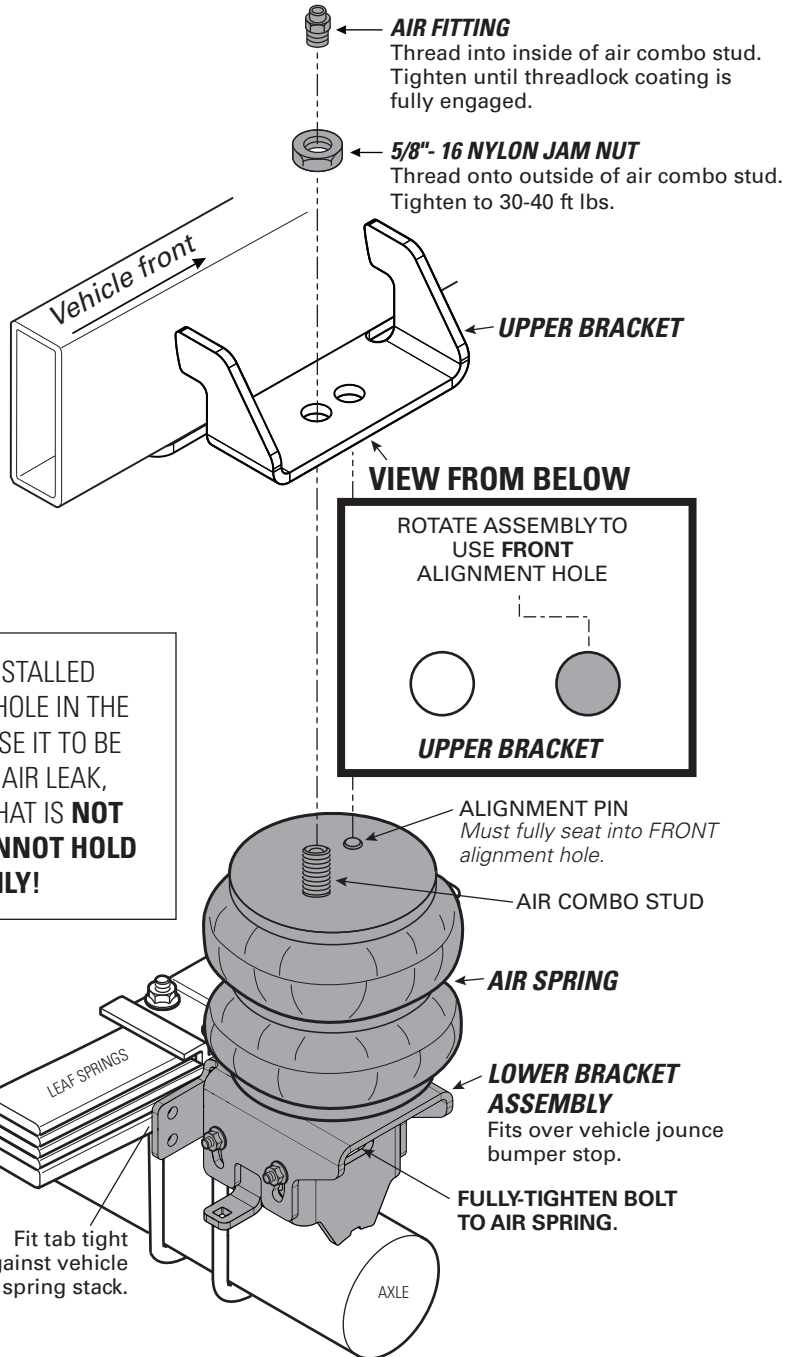
4 Assuring the bottom of the air spring does not twist, fully-tighten the bolt to the bottom of the air spring.

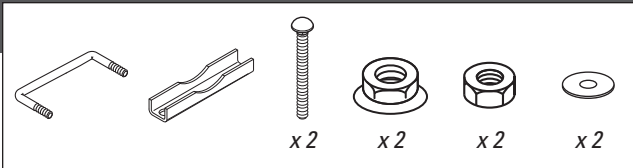


ALIGNMENT PIN ON AIR SPRINGS MUST BE INSTALLED TO FULLY SEAT INTO THE FRONT ALIGNMENT HOLE IN THE UPPER BRACKET. FAILURE TO DO SO WILL CAUSE IT TO BE PUSHED INTO THE BEAD PLATE, CREATING AN AIR LEAK, AND RESULTING IN AN AIR SPRING FAILURE THAT IS **NOT WARRANTABLE. THE ALIGNMENT PIN CANNOT HOLD 2,500 LBS! IT IS USED FOR ALIGNMENT ONLY!**



DID YOU TIGHTEN THE BOLT TO THE BOTTOM OF THE AIR SPRING? **COMPLETE THIS BEFORE MOVING TO THE NEXT STEP!**



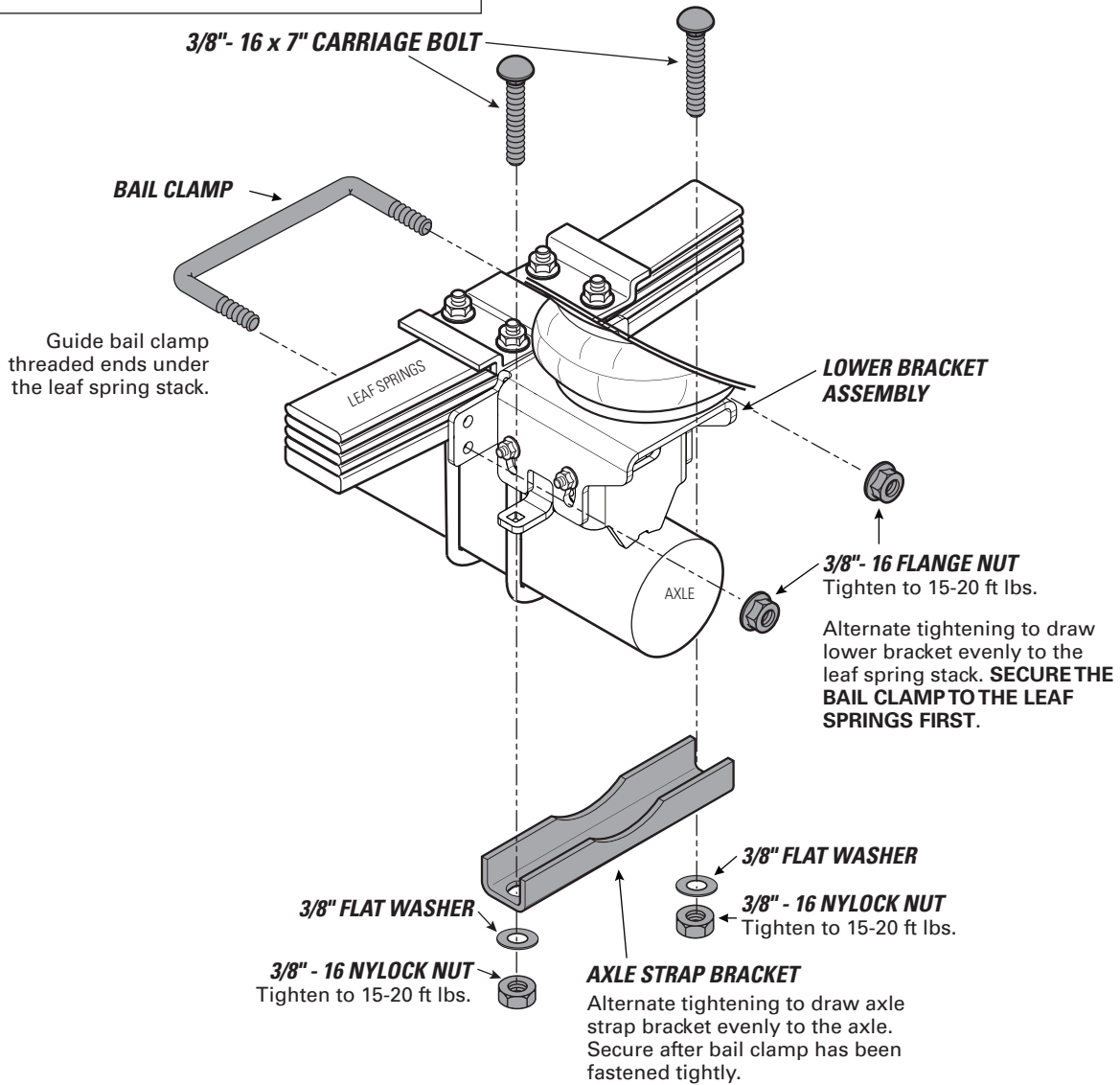


USE YOUR HAND TO CHECK FOR THE PROPER CLEARANCE AROUND THE AIR SPRING. IF YOUR HAND DOES NOT FIT BETWEEN THE AIR SPRING AND OTHER COMPONENTS, IT WILL RUB!



1 Position the lower bracket assembly so that the axle tab rests on top of the axle. **Assure that the vehicle brake line is not pinched between the axle saddle bracket axle tab and vehicle axle.**

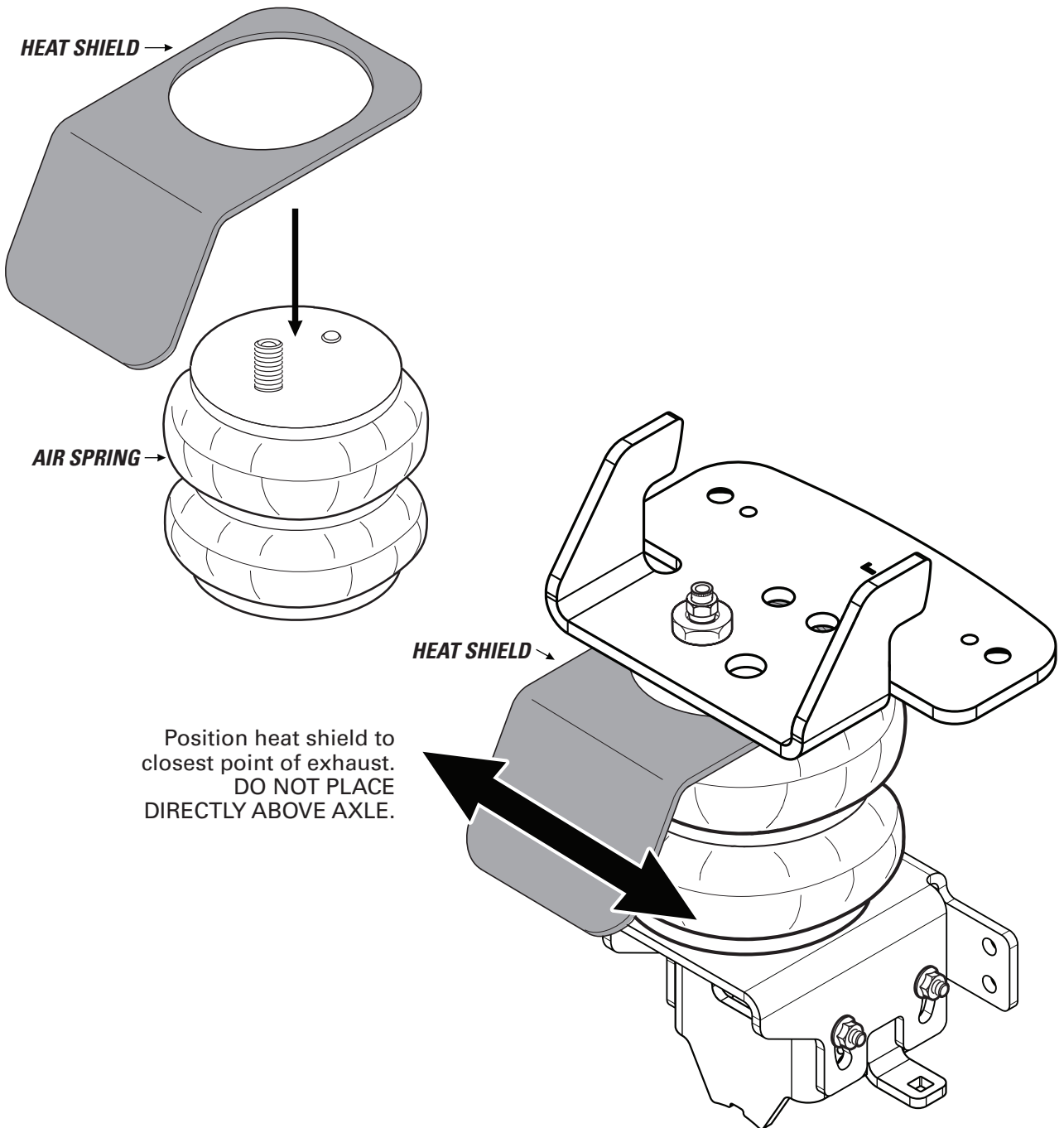
2 Install the bail clamp and the axle strap bracket, as shown.



AWESOME! You're done with the left side. The right side is the same, with the addition of the heat shield. See step 8, then complete the steps for the right side installation.



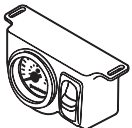
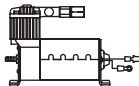
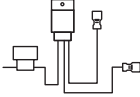

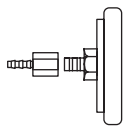
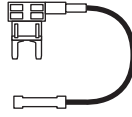
RIGHT SIDE INSTALLATION MUST INCLUDE HEAT SHIELD!



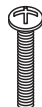
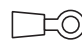
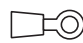



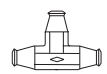
SECTION 2 PARTS

Compare the parts below to your kit. Assure you have all pieces, and organize them for an easier installation.

AIR ACCESSORY CONTENTS

PT # 2572	 x1 SINGLE AIR CONTROL PANEL	PT # 9284	 x1 AIR COMPRESSOR	PT # 9307	 x1 RELAY HARNESS
PT # 9416	 x1 AIR LINE TUBE (30 FEET)	PT # 9350	 x1 AIR FILTER AND FITTING	PT # 7543	 x1 IGNITION FUSE TAP

AIR ACCESSORY HARDWARE PACK

PT # 3087	 x7 10-32 x 1" MACHINE SCREW	PT # 9078	 x1 SMALL RING TERMINAL, RED	PT # 9041	 x1 SMALL RING TERMINAL, BLUE
PT # 3008	 x7 10-32 LOCK NUT	PT # 9083	 x2 WIRE CONNECTOR		
PT # 3086	 x14 #10 FLAT WASHER	PT # 3025	 x1 PUSH-TO-CONNECT T-FITTING		

CONTENTS AND OVERVIEW

SECTION 2

PAGE **12** PLANNING THE INSTALL

PAGE **13** PREPARE AIR COMPRESSOR & CONTROL PANEL

PAGE **14** DRILL HOLES FOR AIR COMPRESSOR INSTALLATION

PAGE **15** INSTALL THE AIR COMPRESSOR

PAGE **16** AIR COMPRESSOR TO CONTROL PANEL AIR LINE TUBE

PAGE **17** AIR SPRINGS TO CONTROL PANEL AIR LINE TUBE

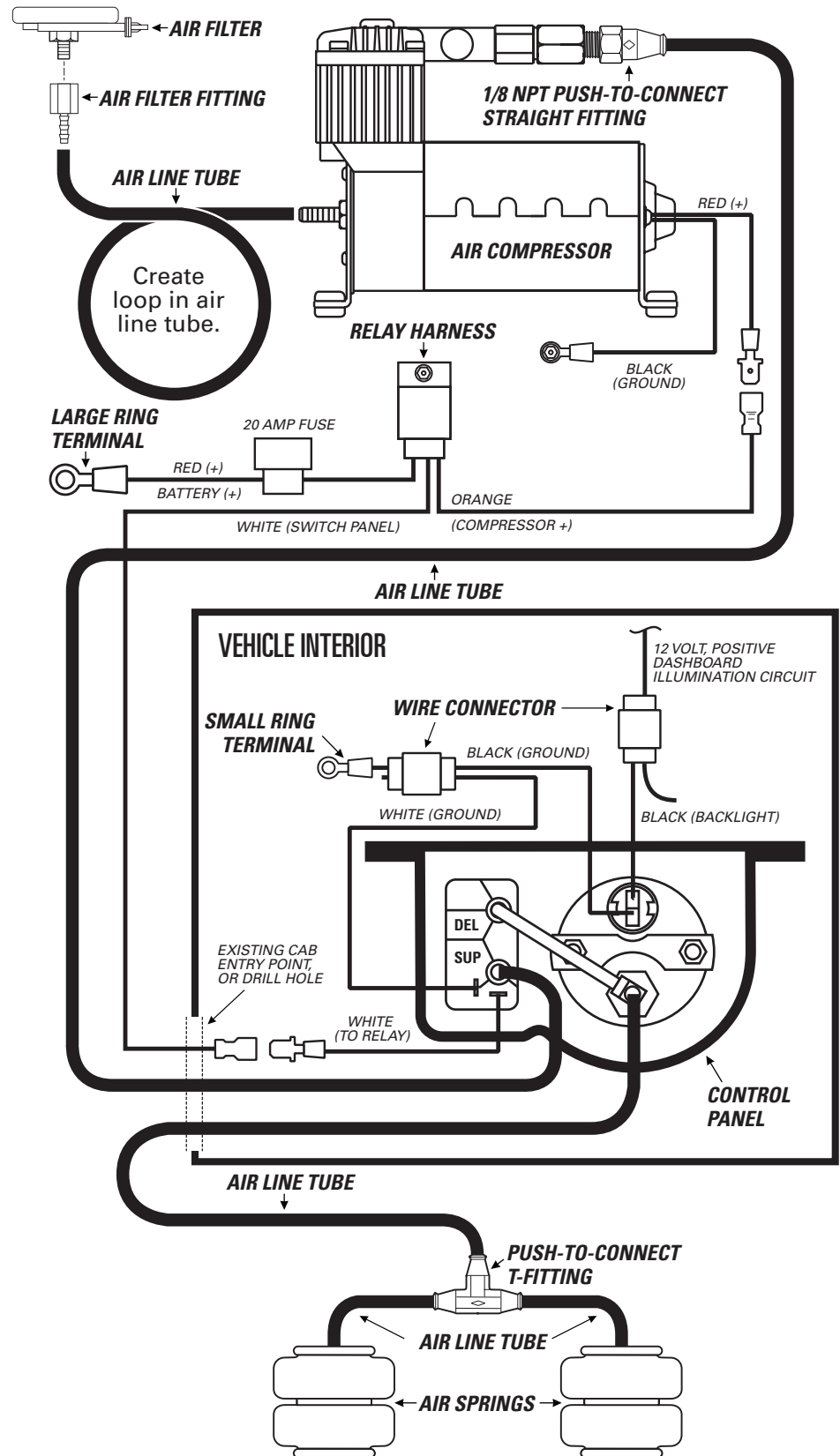
PAGE **18** INSTALL RELAY HARNESS

PAGE **19** FINISH CONTROL PANEL WIRING & INSTALLATION

PAGE **20** INSTALL THE AIR FILTER & CLEAN UP INSTALLATION

PAGE **21** TEST THE SYSTEM

PAGE **22** FIX AN AIR LEAK

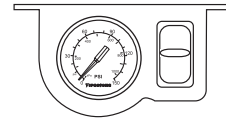


PLANNING THE INSTALL

THESE PLANNING STEPS WILL HELP YOU SAVE TIME AND WILL MAKE THE INSTALLATION EASIER.

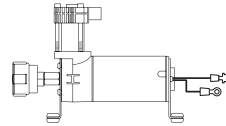
DETERMINE THE MOUNTING LOCATION FOR THE CONTROL PANEL

- Mount inside the vehicle cab, in a place where you will not hit or kick it.
- Allow room for the air line tube to run without sharp curves or bends.
- Do not obstruct your view or ability to safely operate the vehicle.



DETERMINE THE MOUNTING LOCATION FOR THE AIR COMPRESSOR

- Provide ample air flow.
- Protect from airborne debris and moisture.
- If using the optional frame installation kit (Part # 2497), consider the guidelines above, and follow kit's instructions.



PLAN INSTALLATION ROUTES FOR WIRING AND AIR LINES INTO CAB

- If possible, use existing factory grommet, such as where a wiring harness enters the cab.
- If not possible, drill a hole large enough for two air line tubes and a ground wire. Make sure the wiring and air line tubes are not exposed to sharp metal edges that can damage them.

SOAK AIR LINE TUBE ENDS IN HOT WATER BEFORE INSTALLING ONTO BARBED FITTINGS

- The hot water makes the air line tube easier to work with and enables it to shrink onto the barbed fitting for a better seal.



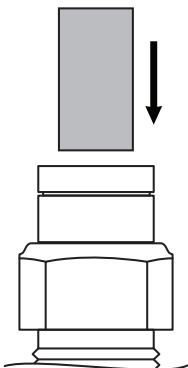
TAPE ALL ELECTRICAL CONNECTIONS

- Use electrical tape to appropriately secure and protect all electrical connections.

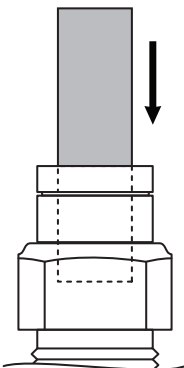
USING PUSH-TO-CONNECT FITTINGS FOR AIR LINES

Your kit includes push-to-connect fittings to connect the air line tubes to hardware. Use the instructions below when using the air line.

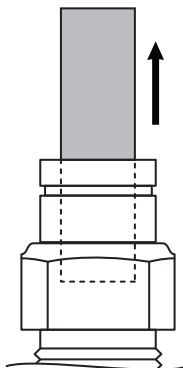
- 1** Insert end of air line tube into air fitting.



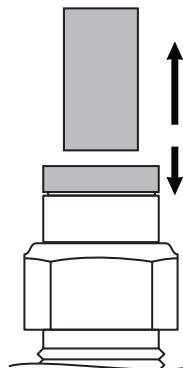
- 2** Push air line tube into air fitting as far as possible.



- 3** Gently pull on the air line tube to check for a secure fit.



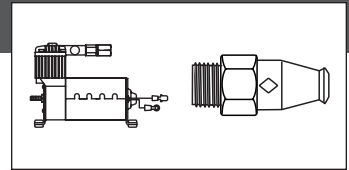
- 4** To remove, push down collar and gently pull air line tube away.



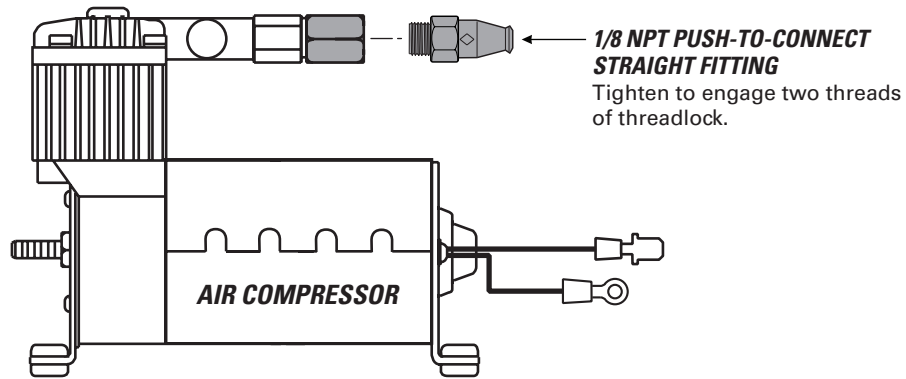
Removal Tip: Use a 1/4", 5/16", or 6mm open-ended wrench to push the collar down.

1

PREPARE THE AIR COMPRESSOR



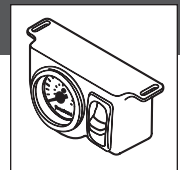
- 1 Install 1/8 NPT push-to-connect straight fitting to the head of the air compressor.



2

DRILL HOLES FOR CONTROL PANEL INSTALLATION

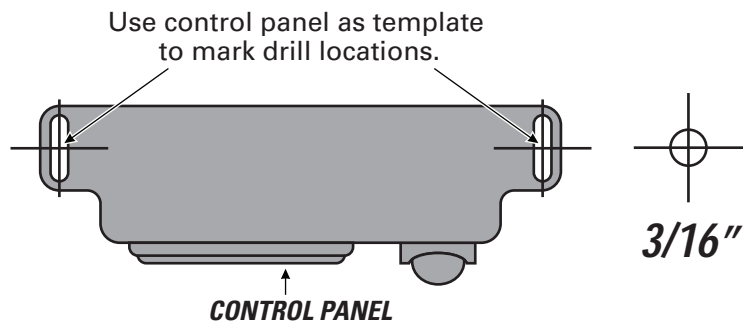
Use the location you selected during the planning the installation step on Page 12.

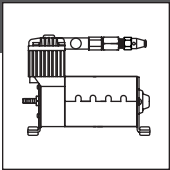


- 1 Using the control panel slots as a template, mark two drill locations with a punch or marking tool.

- 2 Drill a 3/16" diameter hole on each center mark.

- 3 Do not mount the control panel until Step 8.





IF YOU ARE USING THE OPTIONAL FIRESTONE AIR COMPRESSOR MOUNTING KIT (PART # 2497), SKIP THIS STEP AND REFER TO THE MOUNTING KIT'S INSTRUCTIONS.

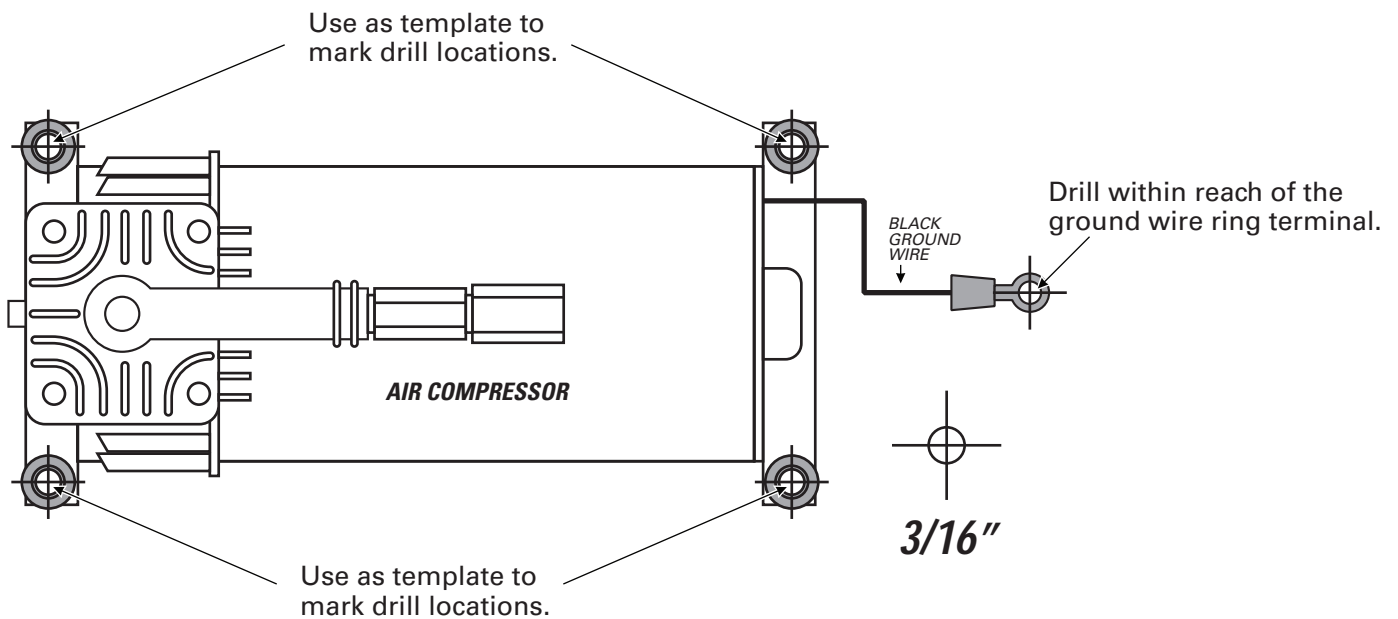


CHECK SURROUNDING AREA AND BACK SIDE OF MOUNTING LOCATION TO AVOID DRILLING INTO EXISTING LINES OR WIRING.

1 Using the air compressor as a template, mark four drill locations with a punch or marking tool.

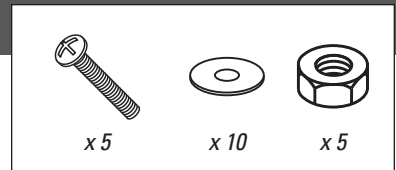
2 Mark ground wire fastening location within reach of the ground wire ring terminal.

3 Drill 3/16" diameter holes. Remove any burrs and debris from drill holes.



4

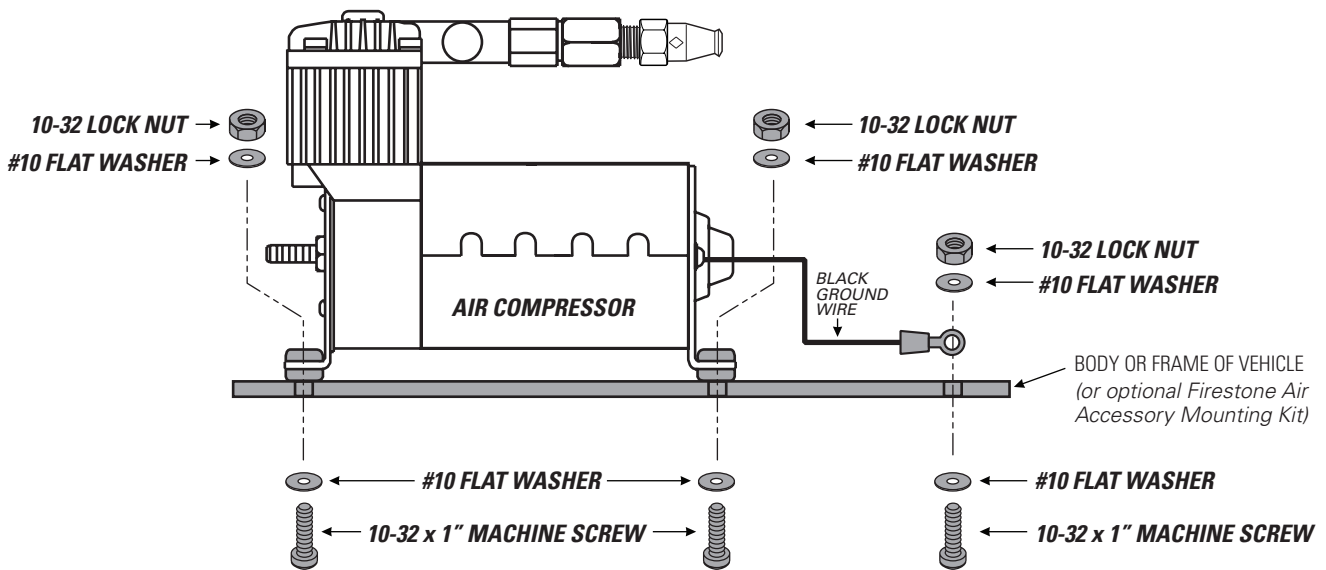
INSTALL AIR COMPRESSOR



DO NOT OVER TIGHTEN MOUNTING BOLTS AND NUTS. TOO MUCH TORQUE CAN CRUSH THE BRASS INSERTS AND RUBBER ISOLATORS.

1 Mount the air compressor to the drill hole location using the supplied fasteners. DO NOT OVERTIGHTEN.

2 Mount the black ground wire ring terminal using the supplied fasteners. Assure that the ring terminal makes a solid contact with bare metal for a proper ground. (Optionally, you can run the negative to the negative battery terminal.)



TO CREATE A PROPER GROUND, ASSURE THE GROUND RING TERMINAL CONTACTS BARE METAL AND IS FASTENED SECURELY. AFTER INSTALLATION, YOU MAY OPTIONALLY COAT THE RING TERMINAL IN SILICONE TO PROTECT IT FROM CORRODING.



Use the route you selected during the planning the installation step on Page 12.

1 Route the air line tube from the air compressor to the control panel, leaving room to secure line safely. Use guidelines below to cut.



EXHAUST ALL AIR FROM THE SYSTEM PRIOR TO RELEASING AIR TUBES FROM AIR FITTINGS.

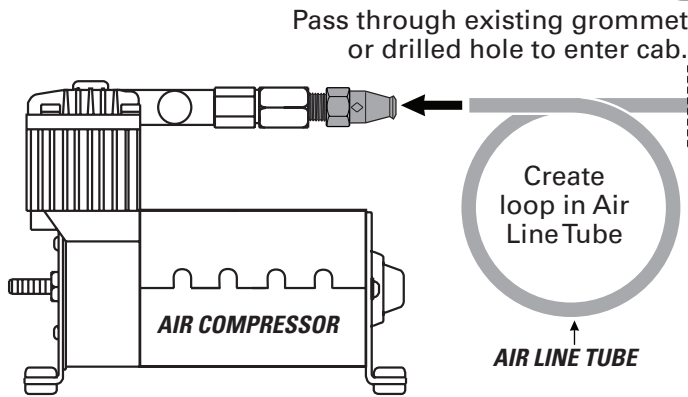
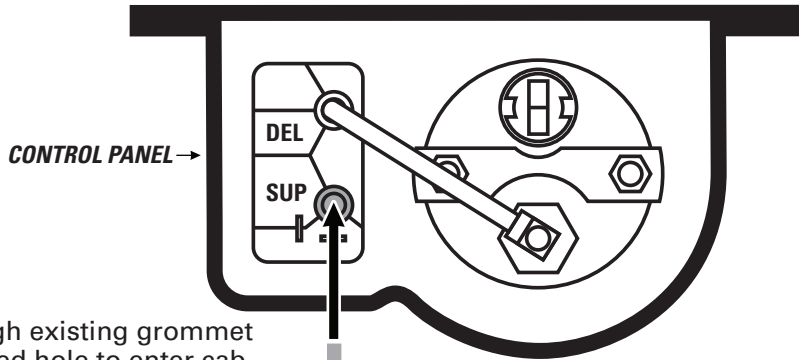


2 Install the air line tube end onto the barbed fitting on the back of the control panel switch as shown.



FOR PROPER INSTALLATION, SOAK AIR LINE TUBE ENDS IN HOT WATER BEFORE INSTALLING ONTO BARBED FITTINGS.

3 Install the air line tube end into the 1/8 NPT push-to-connect straight fitting on the top of the air compressor.



THE AIR LOOP CREATES A TRAP FOR CONDENSATION TO GATHER. WITHOUT THIS TRAP, THE AIR COMPRESSOR COULD BE DAMAGED BY WATER INTAKE.

DO

Make sure the cut is as square as possible. Use a tube cutter or sharp utility knife.

DON'T

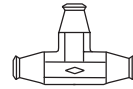
Fold or kink the air line tube. Cut the air line tube at an angle. Use pliers, scissors, snips, saws, or side cutters.

PROPER AND IMPROPER CUTS IN THE AIR LINE TUBE

<p>Square cut AIR LINE TUBE 90°</p>	<p>AIR LINE TUBE</p>	<p>AIR LINE TUBE</p>	<p>AIR LINE TUBE</p>
---	----------------------	----------------------	----------------------

6

INSTALL T-FITTING AND ROUTE AIR LINE TUBE TO CONTROL PANEL



Use the route you selected during the planning the installation step on Page 12.

1 Route the air line tube from the control panel to the air springs.



EXHAUST ALL AIR FROM THE SYSTEM PRIOR TO RELEASING AIR TUBES FROM AIR FITTINGS.

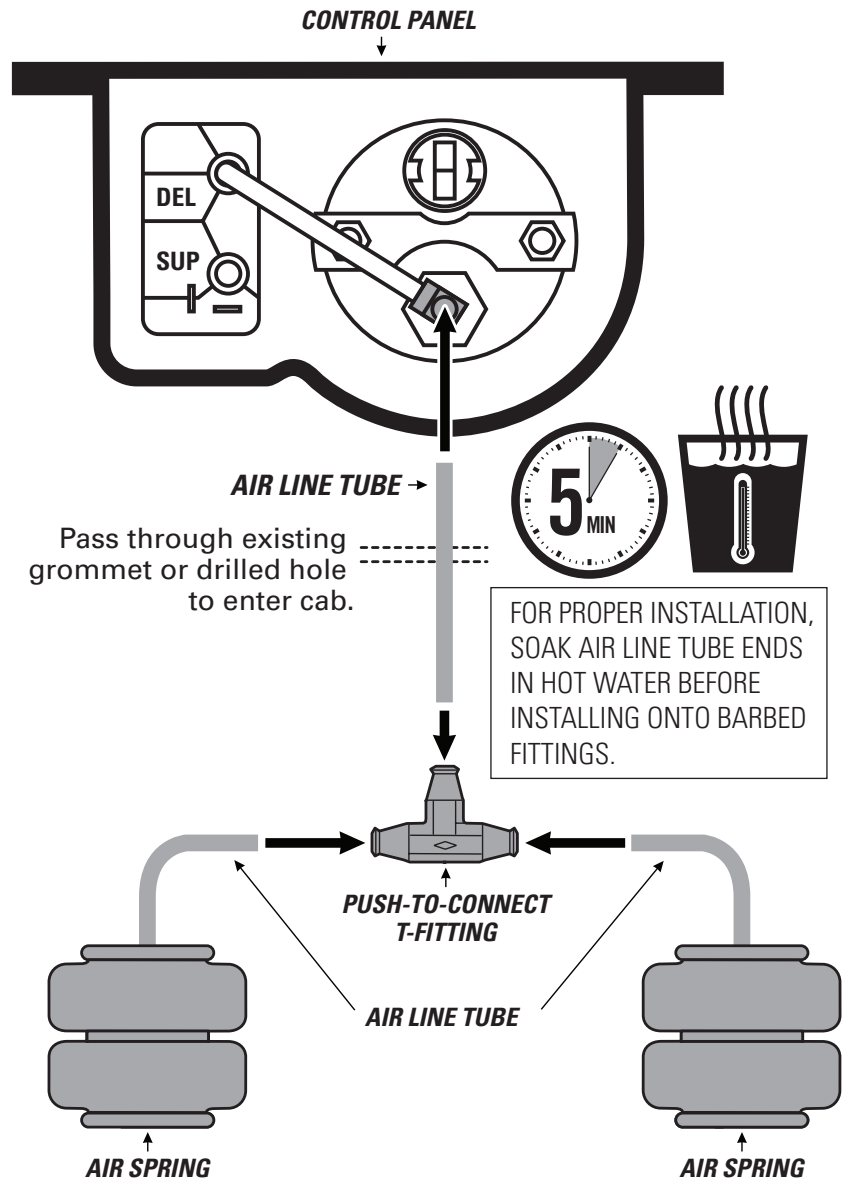


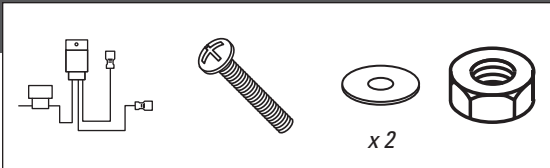
2 Install the air line tube end onto the barbed fitting on the back of the control panel pressure gauge as shown.

3 Determine a safe location for the push-to-connect T-fitting, where air line tubes from the air springs and the control panel can safely meet.

4 Install the air line tubes from the air springs into opposite ends on the push-to-connect T-fitting, as shown.

5 Install the air line tube from the control panel to the single end on the push-to-connect T-fitting.

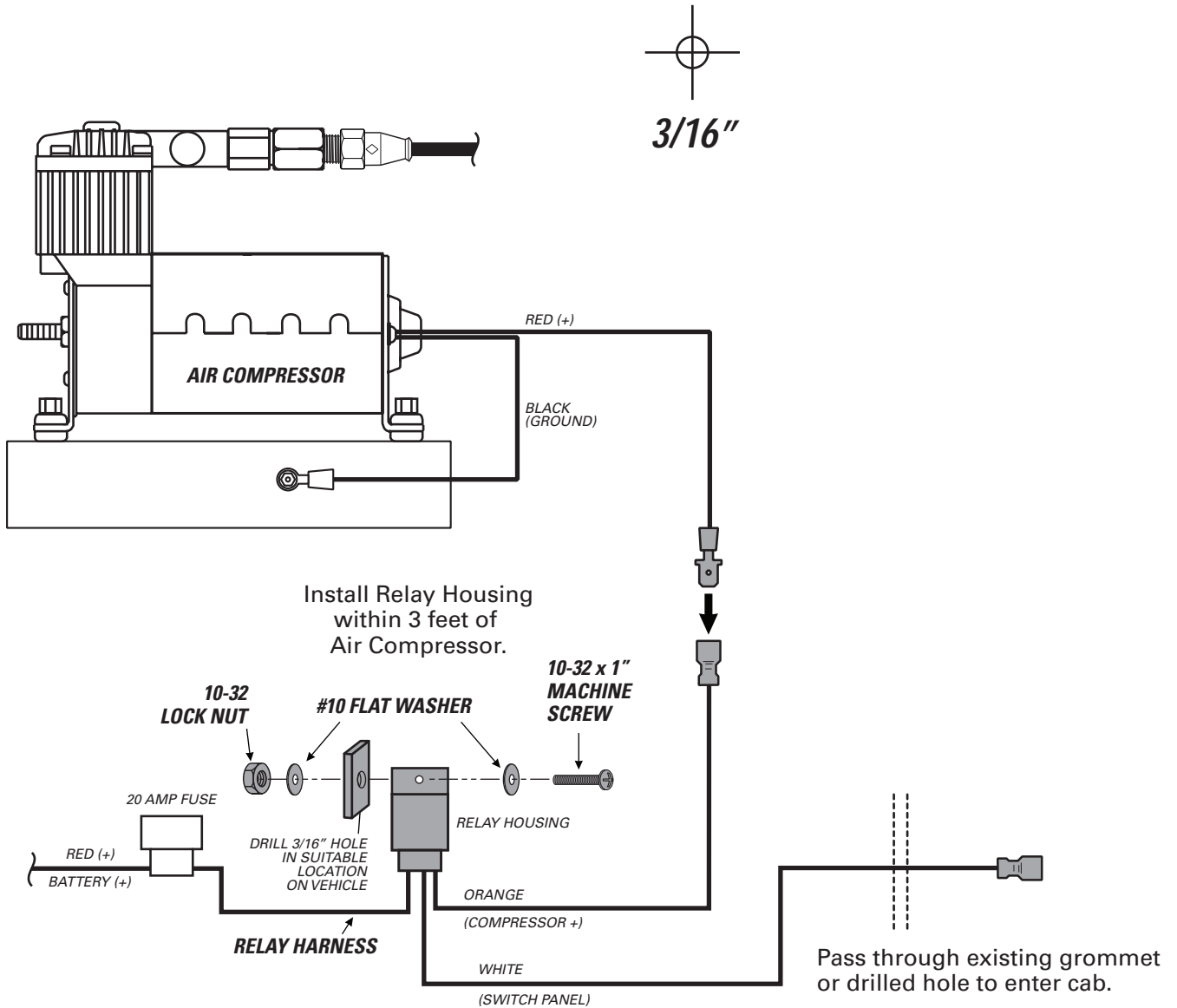




1 Select a safe location within 3 feet of the air compressor.

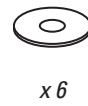
2 Mark and drill a 3/16" hole to mount the relay housing on the relay harness. Secure with fasteners shown.

3 Route the white wire with the female spade connector labeled "switch panel" to the control panel.



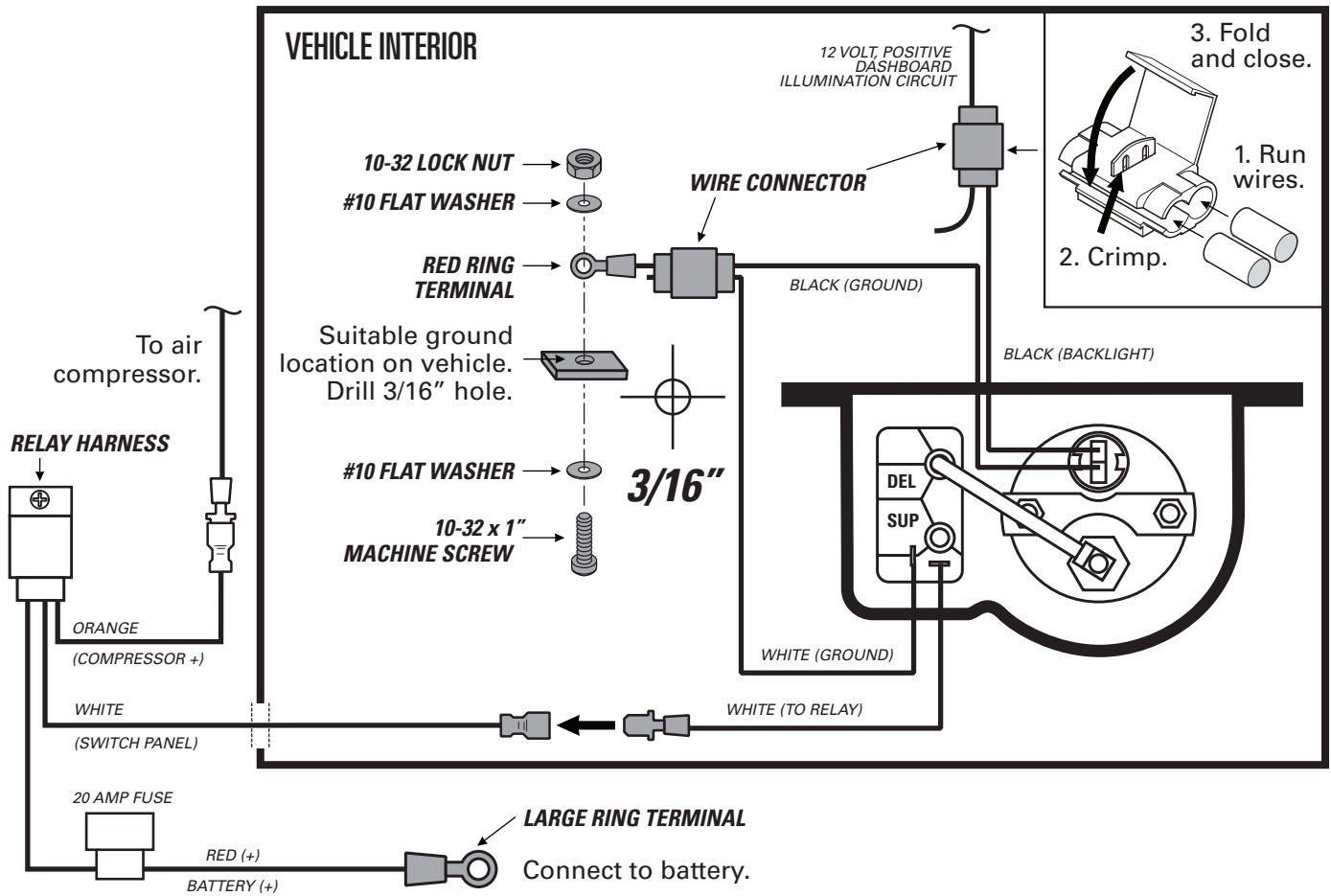
8

FINISH WIRING AND INSTALLATION

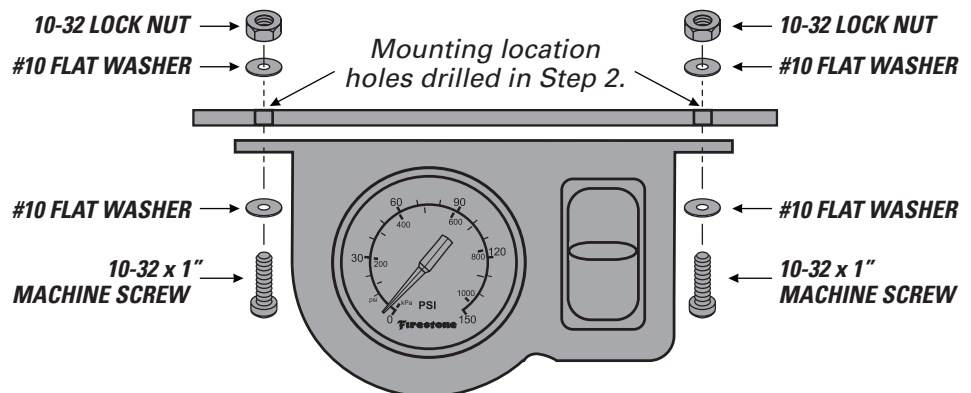


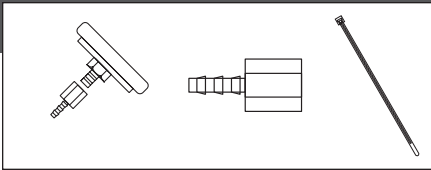
1 Connect wires, install ring terminals and wire connectors as shown below.

2 Fasten control panel ground wires to vehicle as shown.



3 Install the control panel using the supplied fasteners.



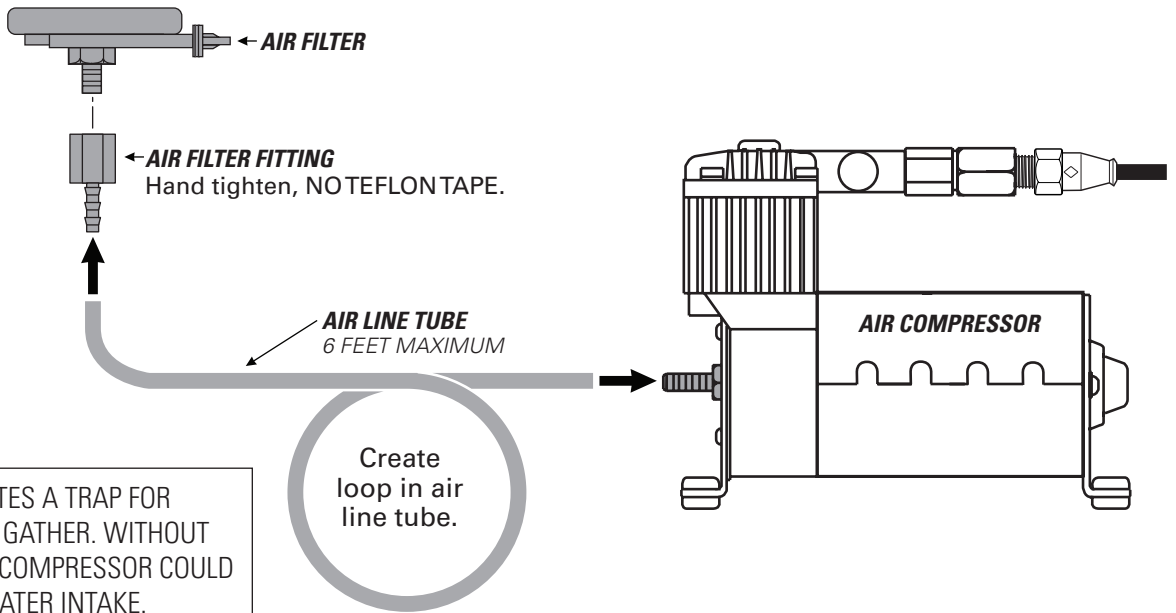


FOR PROPER INSTALLATION, SOAK AIR LINE TUBE ENDS IN HOT WATER BEFORE INSTALLING ONTO BARBED FITTINGS.

1 Install the 1/4 NPT x 1/4" tube fitting onto the air filter Inlet as shown, hand tighten.

2 Use supplied Nylon ties to secure the air filter to a dry, protected location no more than 6 feet from the air compressor.

3 Cut a length of air line tube to run from the air compressor to the air filter. Attach the air line tube to the barbed fittings as shown below.



1 Clean up the installation using supplied Nylon ties, and return all factory parts and materials to operative state.



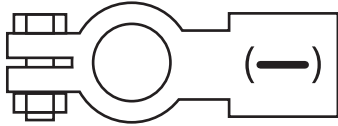
USING SUPPLIED NYLON TIES, SECURE ALL WIRING AND AIR LINE TUBE IN A MANNER THAT DOES NOT OBSTRUCT YOUR VIEW OR ABILITY TO SAFELY OPERATE THE VEHICLE.

10

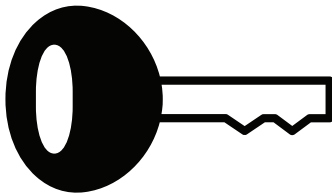
TEST THE SYSTEM

With the Air Command Kit and your air springs installed, you are ready to test the system.

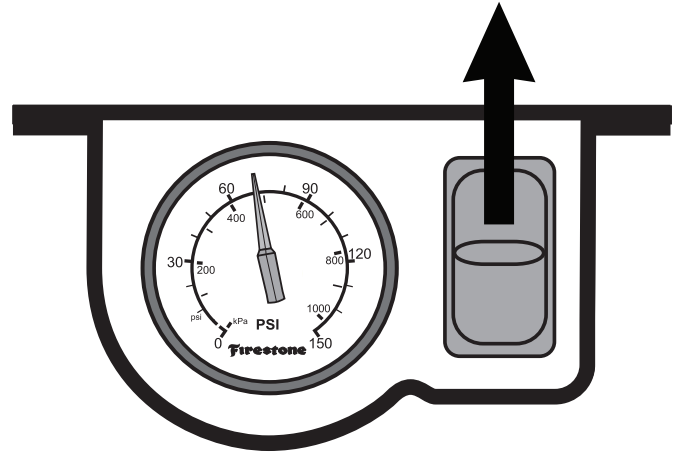
- 1** Re-attach the negative battery cable.



- 2** Turn on your vehicle's ignition.



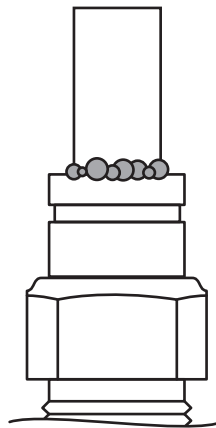
- 3** Push paddle switch up to inflate the air springs to 70 PSI.



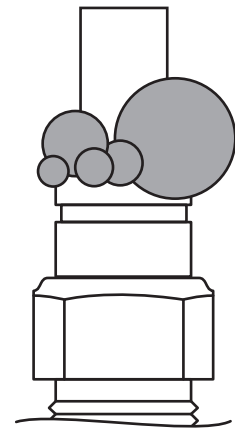
- 4** Spray fittings with soap and water mixture.



- 5** Observe bubbles.



**SMALL SOAP BUBBLES
THAT DO NOT EXPAND**



**SOAP BUBBLES
THAT EXPAND**



NO LEAKS?

Congratulations! You're riding right with the flip of a switch! Remember to review the Operating Instructions.

LEAK?

Bummer. Continue to Step 11 to fix the leak.

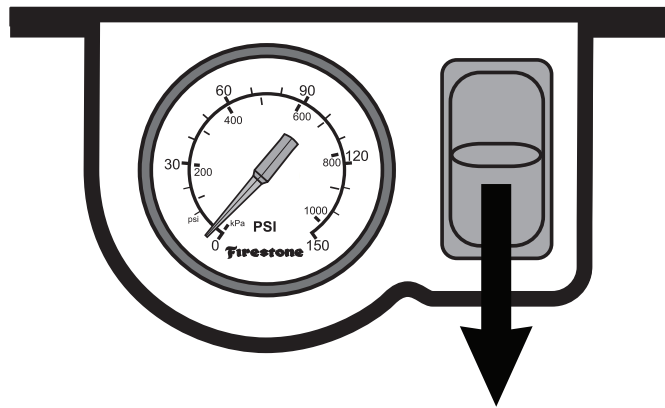


EXHAUST ALL AIR FROM THE SYSTEM PRIOR TO RELEASING AIR TUBES FROM AIR FITTINGS.

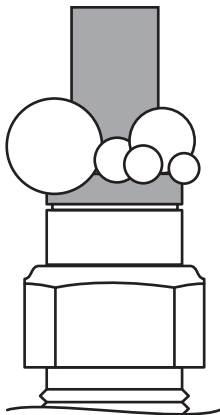


- 1 Push paddle switch down to release all air pressure from the air springs.

NOTE: While doing this, if you get a quick burst of air prior to the gauge dropping to 0 PSI, your lines are incorrectly swapped.

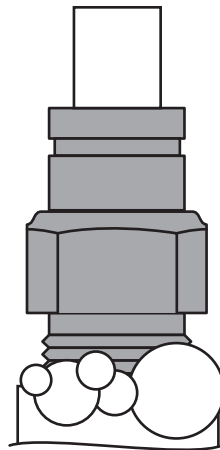


LEAK AT AIR LINE TUBE AND AIR FITTING



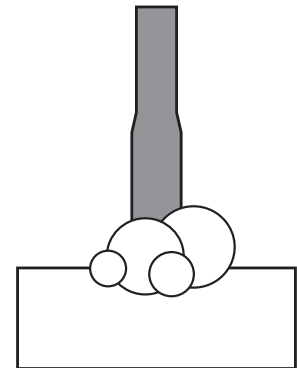
Release air line tube (see page 12). Review proper cuts and procedures in Step 5. Repeat installation steps.

LEAK AT BASE OF AIR FITTING ON AIR SPRING



Tighten air fitting one turn or until leak stops.

LEAK AT A BARBED FITTING



Being careful not to scar the metal barbs, cut away, check for debris. Trim air line tube, **soak for 5 minutes in hot water or you can also warm tube with a hair dryer or heat gun on LOW. DO NOT over heat tube.** Reinstall.

STILL HAVE A LEAK?

Refer to the Troubleshooting section of the Instruction Manual. If the leak persists, or if there is an issue with a leaking part, call 1-800-888-0650; Option 1; Option 1 for Tech Support.



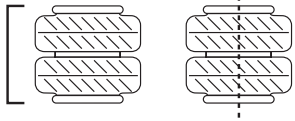
SAFELY RETURN VEHICLE TO OPERATIVE STATE

If you removed any wheels during installation, install the wheels and torque the lug nuts to the manufacturer's specifications. Safely remove any jack stands and wheel chocks used during installation. Re-attach the negative battery cable.

READ AND UNDERSTAND THE OPERATING INSTRUCTIONS

The Ride-Rite system can improve handling and comfort. Take the time to learn how to properly use and maintain your investment by reading the Operating Instructions.

BEFORE YOU DRIVE, CONFIRM THE FOLLOWING:

- Do you have a minimum of 5PSI in your air springs?
- Are your air springs standing 5 1/2" - 6 1/2" tall? 
- Are your air springs properly aligned, left-to-right and front-to-back?
- Are your nuts and bolts tight?
- Have you removed the threaded rods from Steps 1 and 2?
- Put your paper work back into the sleeve and keep it in your glove compartment for future reference.
- Secure all air line tubes and wiring inside the cab and on the outside of the truck.
- The system passes the leak test and holds air.
- The air compressor ground ring terminal is contacting bare metal, and coated with silicone if possible.
- Make sure no wiring, air line tubes, or hardware obstruct your vision or ability to safely operate the vehicle.
- There is a loop in the air line tubes as shown to prevent water or debris from getting into the air compressor head and damaging it.
- The air gauge backlight turns off when the ignition is off, or when dashboard lights do not illuminate.
- You've been bagged...and now your suspension is Airide equipped! Show it off with the supplied decal!

NEED INSTALLATION HELP?

Email us at rrtech@fsip.com. Please include photos to help us better diagnose and understand any problems you may be experiencing.

Firestone

Firestone Industrial Products

CONNECT WITH US



FirestoneIP



Firestone Ride-Rite