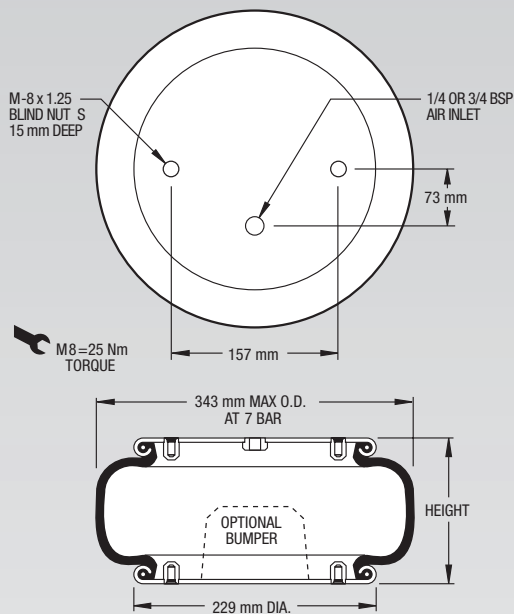


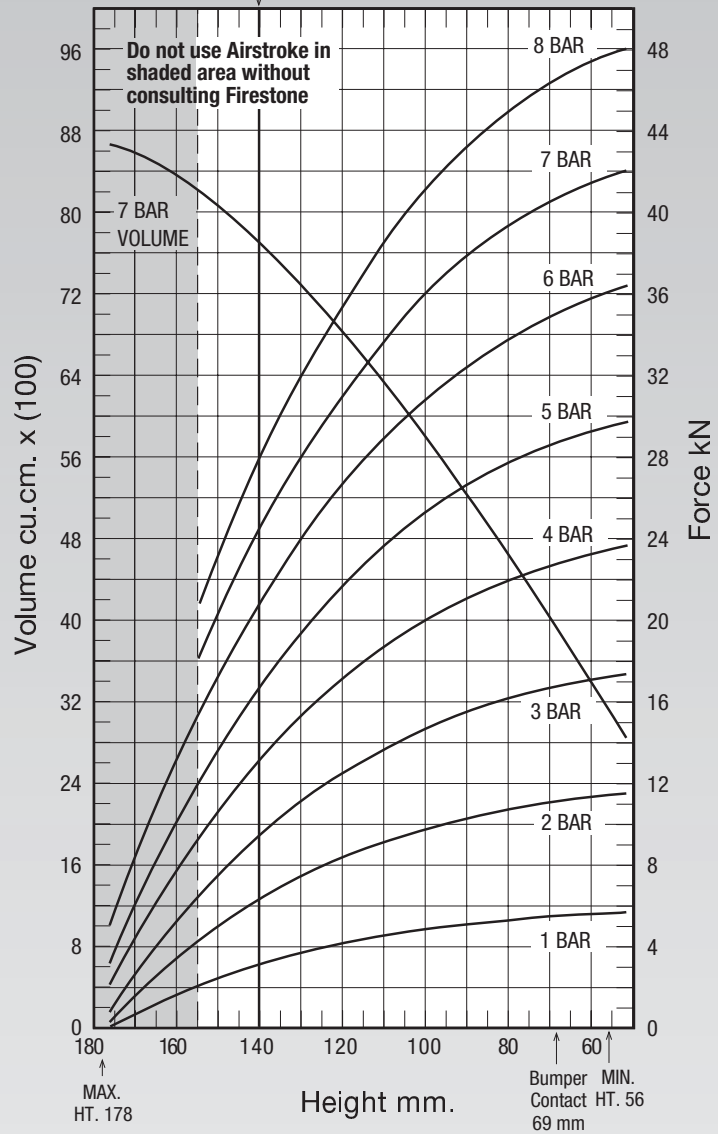
NOTE: All Assembly Order Numbers are for bead plate parts unless noted otherwise.

| | Description | Assembly Order No. |
|---|---------------------|--------------------|
| Style 19-.75 | Blind nuts, 1/4 BSP | W01-M58-6040 |
| Two Ply Bellows | | |
| Assembly weight (bead plate version, no bumper) | | 4.53 kg. |
| Force to collapse to minimum height (@ 0 BAR) | | 67 N. |



NOTE: A bead plate part is shown. This part is also available with bead rings. See pages 8-10 for explanation.

RECOMMENDED
AIRMOUNT
DESIGN HEIGHT
140 mm.



See page 12 for instructions on how to use chart.

Dynamic Characteristics at 140 mm Design Height (Required for Airmount isolator design only)

| Gauge Pressure (BAR) | Load (kN) | Spring Rate (kN/m) | Natural Frequency Hz |
|----------------------|-----------|--------------------|----------------------|
| 3 | 9.30 | 272 | 2.70 |
| 4 | 12.89 | 356 | 2.62 |
| 5 | 16.44 | 435 | 2.57 |
| 6 | 20.49 | 514 | 2.50 |
| 7 | 24.11 | 589 | 2.46 |

Force Table (Use for Airstroke™ actuator design)

| Assembly Height (mm) | Volume @ 7 BAR (cu cm) | EFF Area @ 7 BAR (cm sq) | kN Force | | | | |
|----------------------|------------------------|--------------------------|----------|---------|---------|---------|---------|
| | | | @ 3 BAR | @ 4 BAR | @ 5 BAR | @ 6 BAR | @ 7 BAR |
| 140 | 7705 | 345 | 9.30 | 12.89 | 16.44 | 20.49 | 24.11 |
| 130 | 7286 | 397 | 11.01 | 15.15 | 19.21 | 23.73 | 27.81 |
| 120 | 6846 | 441 | 12.41 | 17.00 | 21.52 | 26.44 | 30.89 |
| 110 | 6335 | 480 | 13.64 | 18.63 | 23.55 | 28.84 | 33.62 |
| 100 | 5822 | 512 | 14.65 | 19.94 | 25.19 | 30.79 | 35.86 |
| 90 | 5243 | 540 | 15.50 | 21.06 | 26.57 | 32.45 | 37.80 |
| 80 | 4681 | 562 | 16.18 | 21.93 | 27.65 | 33.77 | 39.34 |
| 70 | 4063 | 580 | 16.73 | 22.65 | 28.54 | 34.84 | 40.60 |