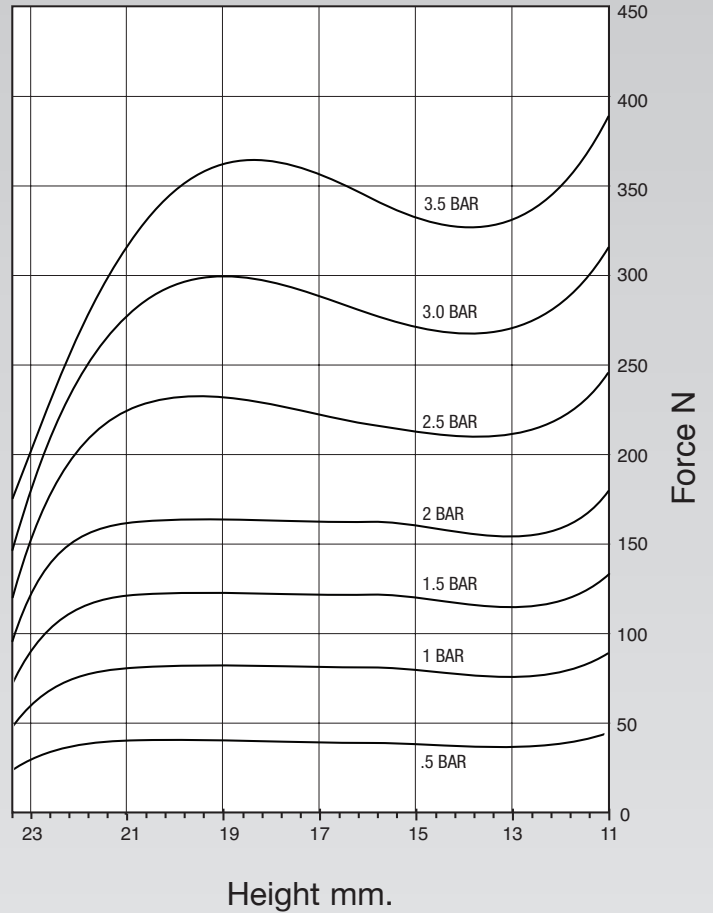
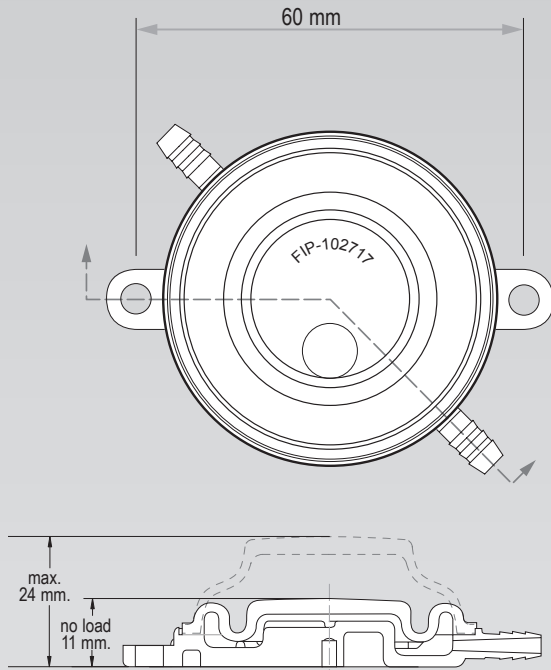


Description	Assembly Order No.
50-P-10	WA1-358-5676



Use #8 or 4mm screws to mount through tabs.

Use .18 [4.6] ID nylon or equivalent tubing.

NOTE:

Do not use as an Airmount isolator.

Force Table (Use for Airstroke™ actuator design)								
Assembly Height (mm)	Volume @ 7 BAR (cu cm)	kN Force						
		.5 BAR	1 BAR	1.5 BAR	2 BAR	2.5 BAR	3 BAR	3.5 BAR
11		44	88	132	176	242	312	384
14		39	78	117	156	208	264	321
17		40	81	121	162	217	279	344
19		39	79	118	158	227	299	366
22		41	81	122	162	224	275	313
24		23	45	68	90	113	140	170